

August 2021 >>>

- Street Light Upgrade
- Electric Powered Yard Tools
- EnergyWise Incentives
- Grain Bin Setbacks
- Safe Digging Day 8-11



Serving Stanton County and parts of Madison, Wayne, Cuming, and Colfax counties

EnLIGHTening NEWS



About Us >>>

Stanton County Public Power District: Board of Directors

- Robert Schellpeper.....President
- Gary Koehlmoos.....Vice President
- Weldon Marotz.....Secretary
- Jim Scherer.....Treasurer
- Doug Oertwich.....Director
- John Gall.....Director

Contact Us:

Phone – (402)-439-2228 or (877)-439-2228
 Website: www.scppd.com
 Email: scppd@scppd.net
 Mail: PO Box 319, Stanton, NE 68779
 Office: 807 Douglas St. Stanton, NE
 Check us out on Facebook

Report an Outage:
877-439-2300
for after office hours service

Stanton LED Streetlighting Downtown gets an upgrade!

Stanton County Public Power District is busy updating the City of Stanton’s downtown street lighting system. The current lighting system is comprised of 35 individual locations of which 30 are controlled by a single photocell and the remaining 5 are individually controlled. When SCPPD began service to the City of Stanton in 1976, all 35 fixtures were four, 100-Watt fluorescent tube fixtures or 400 watts per downtown light. These fixtures provided good light for the time, however they proved to be very high maintenance.

SCPPD Lineman, Matt Hoferer, holds a new LED fixture next to the previous HPS street light.



In 1984, SCPPD purchased 35 250-Watt high pressure sodium (HPS) lights that were the new technology of the day to replace those fluorescent fixtures. The new HPS lights provided an energy savings of 150 Watts per fixture per hour. Now, we are replacing them all with LED fixtures! Of the 35 downtown street lights, 28 will be 110-Watt and 7 will be 120-Watt fixtures. On average there are four fixtures per city block. These areas will have the 110-Watt LEDs installed, and a few outlying areas that have 3 lights per block will have the 120-Watt LEDs installed.

Continued on page 3



Electric Powered Lawn and Garden Tools>>>

New EnergyWise Incentive

Gasless, but not gutless. Quiet, but not shy. This is not your grandfather's battery powered mower. Advances in battery technology have come a long way in recent years. More power is now being packed into batteries so your mower can speedily deliver a knock-out punch to your lawn.



Maybe it's time to consider upgrading your conventional, gas-burning mower with a new electric or battery-powered option. Consider the following advantages:

- Lower energy cost – gas prices vs. electric rates
- Less maintenance – no spark plugs, fuel filters or oil changes
- Quieter operations – fewer decibels
- Eco-Friendly – no gas emissions

Is it time to go electric?

Energy Efficiency:

Attic Insulation

The weather is still warm, but we know that colder temperatures are on the way. It might be time to consider adding some insulation to your attic in preparation.

Customers are eligible for an incentive of \$0.15 / square foot with a maximum incentive amount of \$300 per existing residential dwelling.

Contact the SCPPD office for an application today!



EnergyWise Incentives >>>

ENERGYWISESM
Use less. Spend less. Do more.

2021 Incentive Rebate Programs

Energy Efficiency is important to all! If you are looking for ways to save energy and money, check our list of rebate programs. There are several options for customers to take advantage of in the 2021 year. For more information, check the website at www.scppd.com or call the office at 402-439-2228.

Residential Heat Pump Water Heater:

- \$400 for air source with an EF > 1.9
- \$650 for ground source with an EF > 2.8

High Efficiency Heat Pump:

- \$400 - \$3,300 Incentive
- Minimum SEER 15, EER 12.5 & HSPF 8.5
- Includes Air-to-Air, and Water/Ground source

SMART thermostat:

- \$25-\$100 Incentive options

Cooling System Tune-up: \$30

Attic Insulation: \$0.15 per square foot - \$300



LED Upgrade:

Continued from Page 1

SCPPD utilized an outside lighting engineering study to determine the sizing of the new fixtures to obtain proper lumens in the downtown area. That proposal determined the present lumen output by the HPS lights, and the LED replacement fixtures were “sized up” two sizes over the HPS. This will provide better lighting for the purpose of pedestrian and motor vehicle safety while at the same time saving 130/140 Watts per hour respectively per fixture. We hope citizens enjoy the bright upgrade!



Energy Saving Tips!

While the temperatures are still high, there are always a few ways to save some energy and money! These are some FREE ways to save!

FREE AND EASY WAYS TO SAVE ENERGY

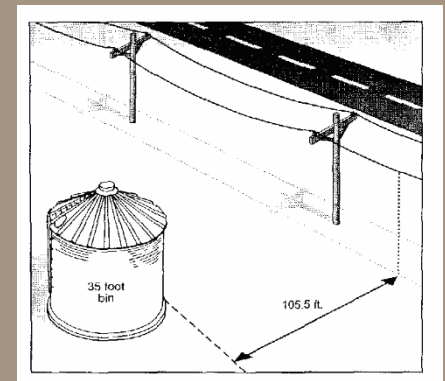
Here are 10 easy, no-cost ways to save energy this summer:

-  1. Close or lower window coverings during the heat of the day
-  2. Set your thermostat a few degrees higher
-  3. Take cooler showers (this feels better in the summer, anyway)
-  4. Use countertop appliances or a microwave instead of your oven
-  5. Better yet, grill or smoke food outdoors
-  6. Unplug that extra fridge, especially older, inefficient models (they have to work even harder in a hot garage)
-  7. Optimize your programmable thermostat's features (around 40% of homeowners never program them)
-  8. Check the airflow around windows and doors (add weather stripping if needed)
-  9. Unplug all chargers and electronics before leaving the house
-  10. SHUT THE FRONT DOOR (don't air condition the outdoors)

Safe Electricity.org[®] Learn more at:

Considering a new Grain Bin?>>>

Please call the Stanton County Public Power District office to discuss your plans with our Operations Manager. The National Electrical Safety Code sets minimum clearances around grain bins. It requires that any high-voltage power lines (over 600 volts) be 18.5 feet above the highest point on a grain bin. Additionally, the Code sets the minimum distance that power lines must be from grain bins, depending on the bin's height. For instance, a bin that is 15 feet tall must be at least 55 feet from power lines on its loading side, and a bin that is 50 feet tall must be at least 143 feet from power lines on their loading sides, respectively.



Dig Safe!

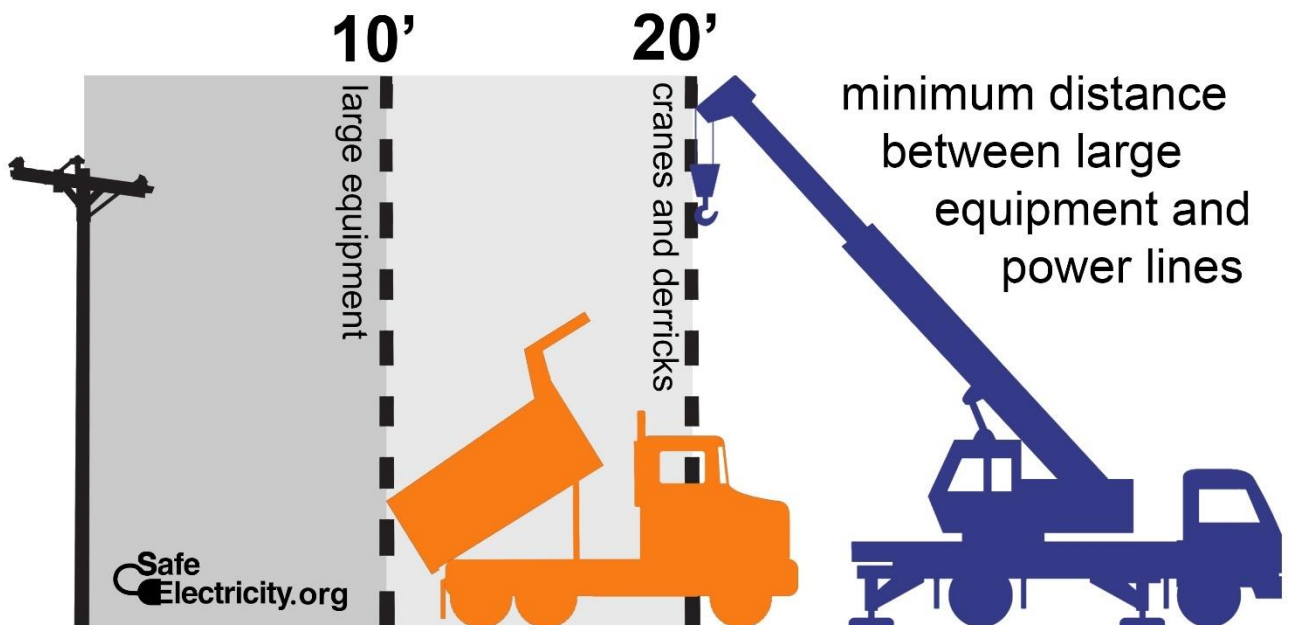
National Safe Digging Day (811 Day) is August 11, 2021.
This serves as an important reminder that everyone,
whether a homeowner with a shovel or a professional
excavator with an earthmover, must Call Before You Dig!



It's the Law – Call
Before You Dig!
1-800-331-5666

The 811 logo, featuring the numbers "811" in a stylized, bold font with a shovel icon integrated into the "1".The logo for Stanton County Public Power District, featuring the name "STANTON COUNTY" in large, bold, red letters with a black outline, and "PUBLIC POWER DISTRICT" in smaller black letters below it. There are several black arrows pointing upwards and to the right from behind the text.

877-439-2228 www.scppd.com scppd@scppd.net
Like us on Facebook



research collected from the Occupational Safety & Health Administration